

**MKDS 5 HV/ 2-9,52-Z**

Order No.: 1907432

<http://eshop.phoenixcontact.de/phoenix/treeViewClick.do?UID=1907432>

Printed circuit terminal block, nominal current: 32 A, rated voltage: 690 V, pitch: 9.52 mm, no. of positions: 2, mounting: Soldering, type of connection: Screw connection, connection direction from the conductor to the PCB: 0°

**Commercial data**

EAN	4017918603946
Pack	50 Pcs.
Customs tariff	85369010
Weight/Piece	0.006842 KG
Catalog page information	Page 285 (CC-2007)

**Product notes**WEEE/RoHS-compliant since:  
01/01/2003

<http://www.download.phoenixcontact.com>  
Please note that the data given here has been taken from the online catalog. For comprehensive information and data, please refer to the user documentation. The General Terms and Conditions of Use apply to Internet downloads.

**Certificates / Approvals**

## Approval logo

**CUL**

Nominal voltage $U_N$	600 V
Nominal current $I_N$	30 A
AWG/kcmil	30-10

**UL**

Nominal voltage $U_N$	600 V
Nominal current $I_N$	30 A
AWG/kcmil	30-10
Certification	CUL, UL

**Accessories**

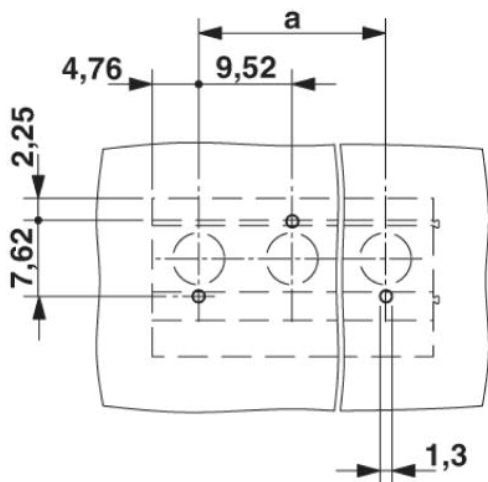
Item	Designation	Description
<b>Marking</b>		
1051993	B-STIFT	Marker pen, for manual labeling of unprinted Zack strips, smear-proof and waterproof, line thickness 0.5 mm
0803906	SK U/3,8 WH:UNBEDRUCKT	Unprinted marker cards, DIN A4 format, pitch as desired, self-adhesive, with 40 stamped marker strips, 185 mm strip length, can be labeled with the CMS system or manually with the M-PEN

**Tools**

1205053	SZS 0,6X3,5	Screwdriver, bladed, matches all screw terminal blocks up to 4.0 mm <sup>2</sup> connection cross section, blade: 0.6 x 3.5 mm, without VDE approval
---------	-------------	--

**Drawings**

Drilling diagram



Dimensioned drawing

---

